



MediGuard RANGE

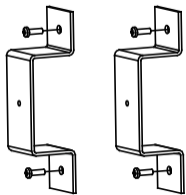
MG400PR

READ THIS BEFORE PLUGGING IN UNIT

Congratulations on choosing a MediGuard Premium Medical Refrigerator. This set of instructions will show you how to properly install and set up your unit to ensure optimal performance. Failure to follow these instructions may result in a **Service Charge** if a technician needs to attend. If you require any assistance, please contact us on **1300 459 140**.

1. Remove all packaging and wrap from the Unit
2. Check for any damage to the unit. Report any damage immediately to 1300 459 140

3. INSIDE THE UNIT:



REAR SPACER X 2



SHELVES

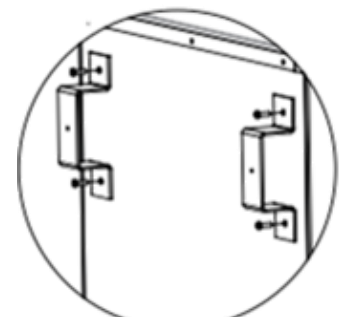


2 x Keys



ADDITIONAL DOOR LOCK ASSEMBLY

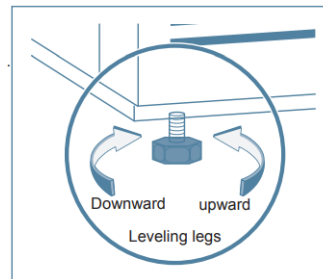
4. Fit the REAR SPACER provided by removing the 4 x M5 bolts from the back of the cabinet then fixing the rear space brackets (requires Philips screwdriver *not supplied*). This prevents the Unit being pushed hard against a rear wall and allows the Condensing Unit adequate ventilation.



Failure to fit the REAR SPACER will **VOID the WARRANTY**.

5. Keep the unit on a firm, flat and even surface. Do not place the unit in direct sunlight or near heat sources. Ensure the room has adequate ventilation.
6. Leave a minimum of 10cm around the Unit for ventilation and heat dissipation.

7. Once the Unit has been positioned in its location, There are leveling legs to act as BRAKE. Unscrew both sides to prevent the Unit from moving when pulling on the handle to open the door.



8. DO NOT place items on the shelves in such a way that the entire surface area is covered. This will lead to restricted airflow and reduce the efficiency and effectiveness of the Unit. A recommendation of **¾ maximum usage of the width, height and depth** will allow the unit to function properly.
9. START-UP: Once in position and levelled, plug in the unit to a normal GPO (General Power Outlet).

10. On initial start-up, depending on the ambient temperature, the Unit may temporarily go into 'Hi-Temp' Alarm Mode.

- To silence the Alarm, press



11. To turn the internal light on or off use the switch

12. Once the Unit has reached approximately 5°C you may begin to store items inside. Ideally, they will already be at the desired temperature. Once the unit is in range perform a reset of the high and low temperature readings.

a) NOTE: Loading the unit with room temperature product will cause the ambient temperature in the fridge to exceed 8°C and cause an alarm. It will also put excessive strain on the compressor and shorten the life of the Unit.

13. To Read Maximum and Minimum Temperature History

- Press and release button 'Hi/Lo' Button. The maximum reached temperature will be displayed
- Press and release button 'Hi/Lo' Button a second time. The minimum reached temperature will be displayed
- To 'Reset' the minimum and maximum temperatures hold the 'Hi/Lo' button until there is a beep and then let go.
- The measurements will have been reset



14. Initialise and start your DATA LOGGER as per the instructions included with the unit.

15. The INSTRUCTION MANUAL for this unit can be located by scanning the QR CODE

located on the Model Number label on the inside of the Unit.



If you have any Questions, please call our Help Line – 1300 459 140